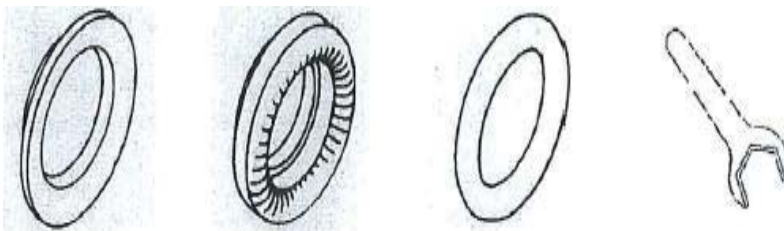


STAINLESS STEEL DAIRY FITTINGS

Manufactured to BS 1804, 1134 and A1528



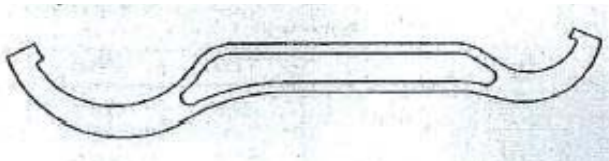
	HEX NUT	ROUND NUT	MALE PART	C.I.P WELD LINER	C.I.P SEAL
25.4mm	•	•	•	•	•
38.0mm	•	•	•	•	•
51.0mm	•	•	•	•	•
53.5mm	•	•	•	•	•
76.1mm	•	•	•	•	•
101.6mm	•	•	•	•	•
152.4mm		•	•	•	•



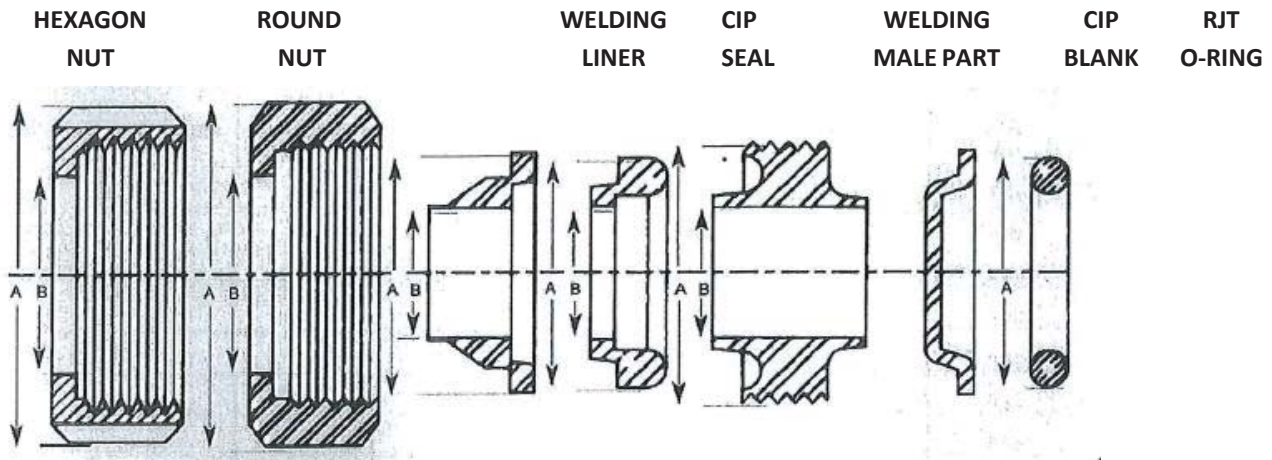
	BLANK	TEFLON SEAL	"O" RING	HEX SPANNER
25.4mm	•	•	•	•
38.0mm	•	•	•	•
51.0mm	•	•	•	•
63.5mm	•	•	•	•
76.1mm	•	•	•	•
101.6mm	•	•	•	•
152.4mm	•	•	•	

25mm - 101mm ROUNDNUT

"C" SPANNER



TECHNICAL DATA



TUBE SIZE	HEX NUT STAINLESS STEEL TYPE 304		ROUND NUT STAINLESS STEEL TYPE 30		WELDING LINER STAINLESS STEEL TYPE 316		C.I.P SEAL NITRILE RUBBER		MALE PART STAINLESS STEEL TYPE 316		RJT SEAL NITRILE RUBBER "O" RING
	A	B	A	B	A	B	A	B	A	B	A
	1"	58.00	34.00	56.80	34.00	41.27	22.00	39.67	22.90	45.72	22.00
1 1/2"	75.00	46.60	73.80	46.60	53.90	34.84	52.40	34.84	58.12	34.84	52.40
2"	92.00	59.40	85.60	59.40	66.67	47.60	65.10	46.76	72.42	47.60	65.10
2 1/2"	108.00	73.20	97.10	73.20	79.50	60.05	77.80	59.40	85.12	60.05	77.80
3"	121.00	84.40	111.50	84.40	92.07	73.00	90.50	72.10	97.82	73.00	90.50
4"	152.00	110.10	139.00	110.10	117.47	98.40	115.90	97.50	123.20	98.40	115.90
5"			172.00	137.00	142.00	123.00	140.00	123.00	147.00	123.00	
6"			200.00	162.80	167.50	147.50			173.20	147.50	173.20