

## DIMENSIONS OF 45°, 90°, 180° BENDS

Table 1 - NEW ZEALAND

OD SIZE		GAUGE	R	A	B
(mm)	(imp)				
12.7	1/2	1.2	25.4	44.5	19.1
15.9	5/8	1.2	25.4	57.2	31.80
19.1	3/4	1.2/1.6	34.9	63.5	28.60
25.4	1	1.2/1.6	44.5	66.7	22.20
31.8	1 1/4	1.2/1.6	57.2	88.9	31.80
38.1	1 1/2	1.2/1.6	76.2	111.1	34.90
44.5	1 3/4	1.2/1.6	79.4	117.5	38.10
50.8	2	1.2/1.6	101.6	133.4	31.80
63.5	2 1/2	1.6	114.3	152.4	38.10
76.2	3	1.6	139.7	177.8	38.10
101.6	4	1.6	152.4	182.4	25.40
152.4	6	2.0	228.6	260.4	31.80

**NOTE:** For 180° bends dimension "R" specified above may vary slightly due to the variation in temper of mill supplied tube. Where dimension "R" is critical, for intended use, please consult New PlymouthStainless Supplies to determine the exact dimension, when ordering.

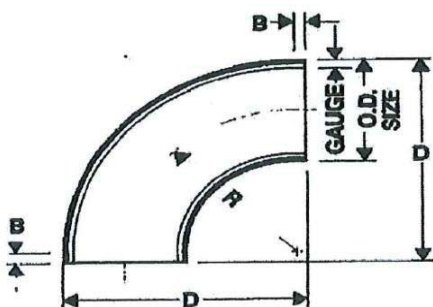
### DIMENSIONS OF 90° SHORTRADIUS

TABLE 2 - NEW ZEALAND  
NOMINAL

OD SIZE		GAUGE	R	D	B
(mm)	(imp)				
25.4	1	1.6	38.1	51x51	0.0
31.8	1 1/4	1.6	47.6	76x76	12.7
38.1	1 1/2	1.6	57.2	71x71	-4.8
50.8	2	1.6	76.2	101x101	0.0
63.5	2 1/2	1.6	101.6	133x133	0.0
76.2	3	1.6	114.3	165x165	12.7
101.6	4	1.6	152.4	216x216	12.7

### 90° Short Radius New Zealand Dimensions

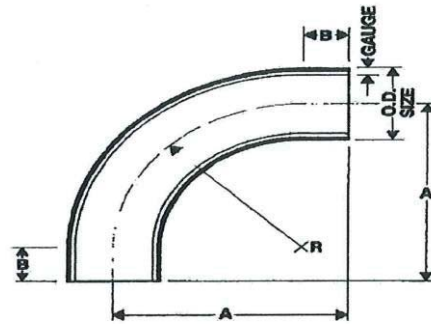
For dimensions refer to Table 2



### BENDS

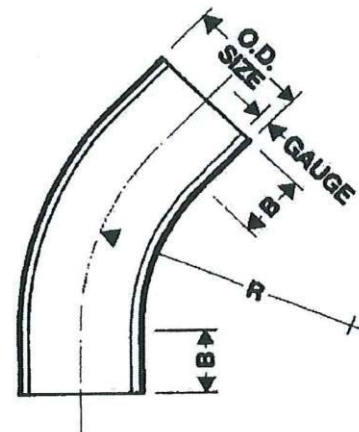
#### 90° New Zealand Dimensions

For dimensions R, A and B, refer to Table 1



#### 45° New Zealand Dimensions

For dimensions R and B, refer to Table 1



#### 180° New Zealand Dimensions

For dimensions R, A and B, refer to Table 1

